

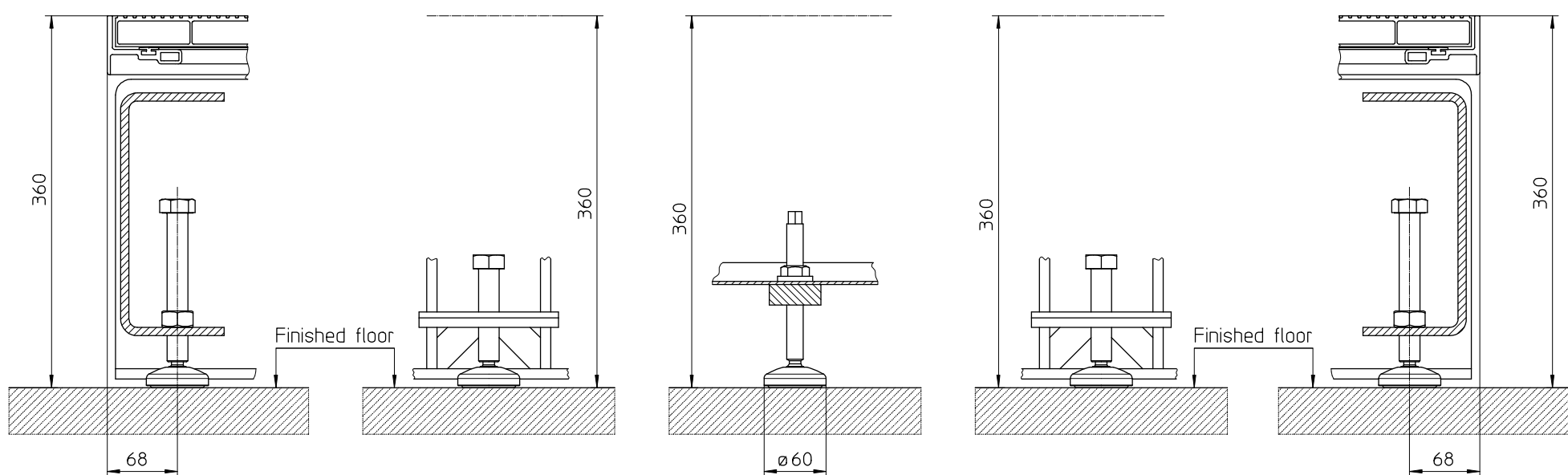
End Support
(Tension device)

Support - Pit

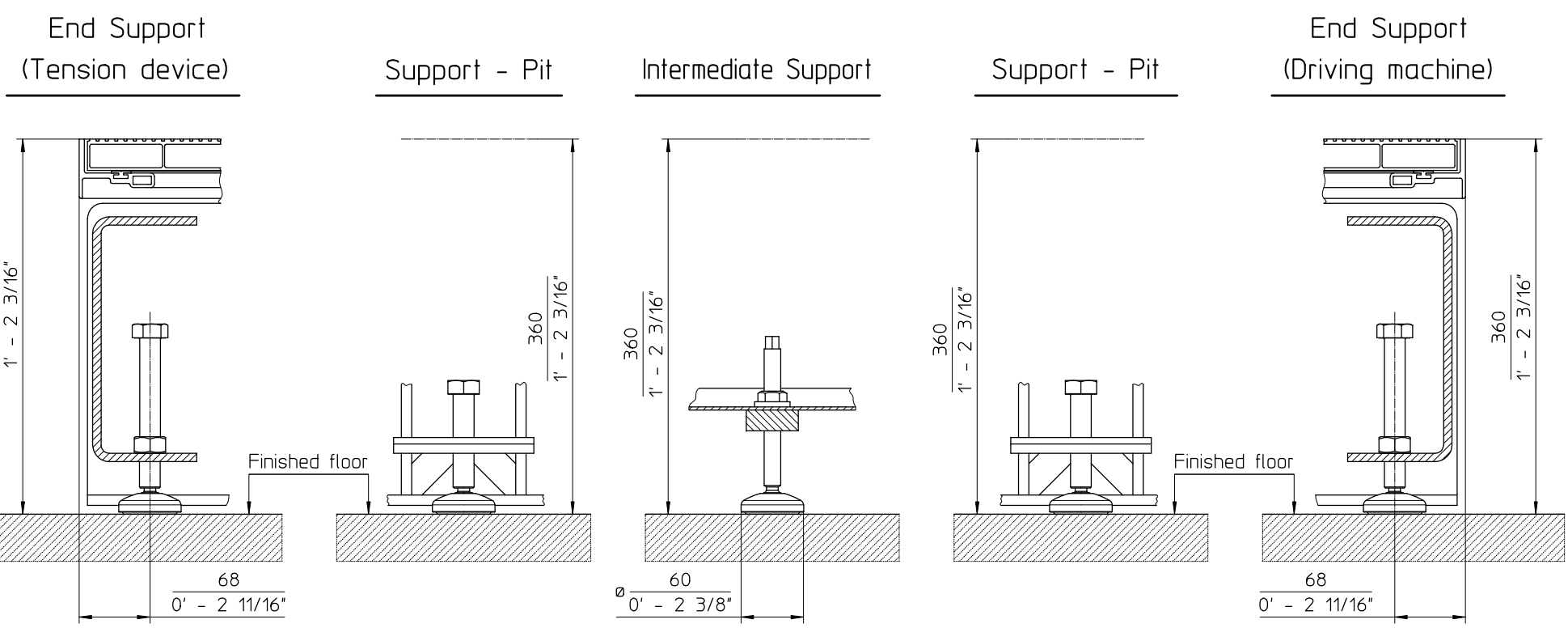
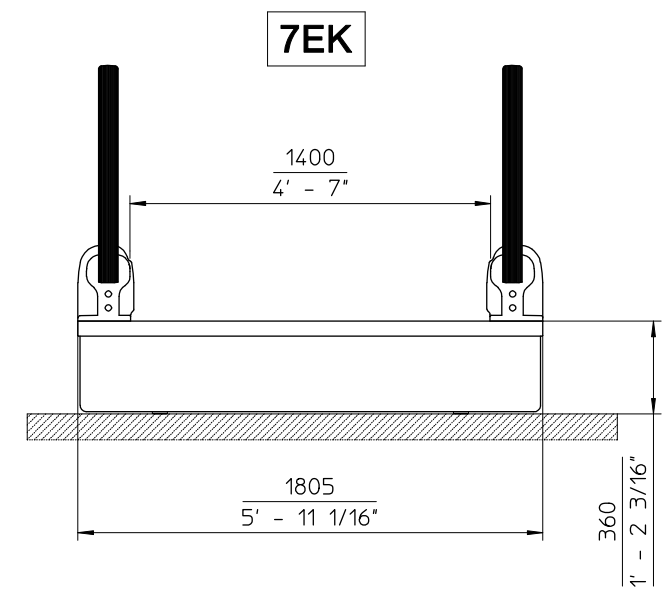
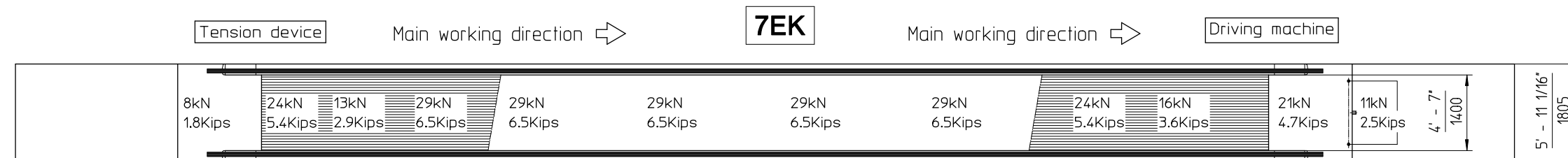
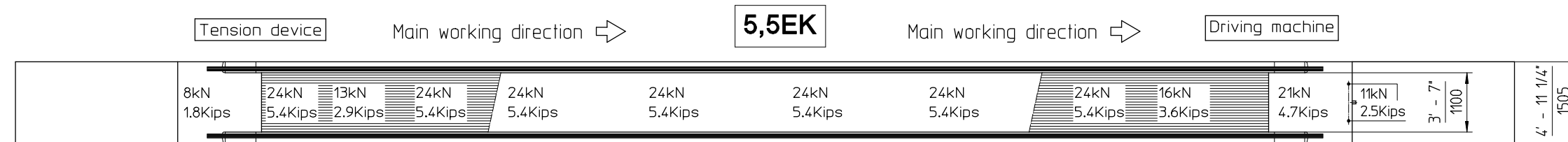
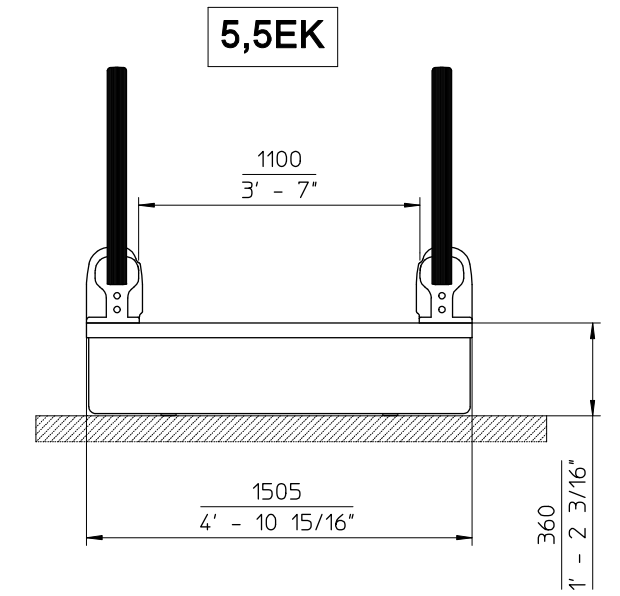
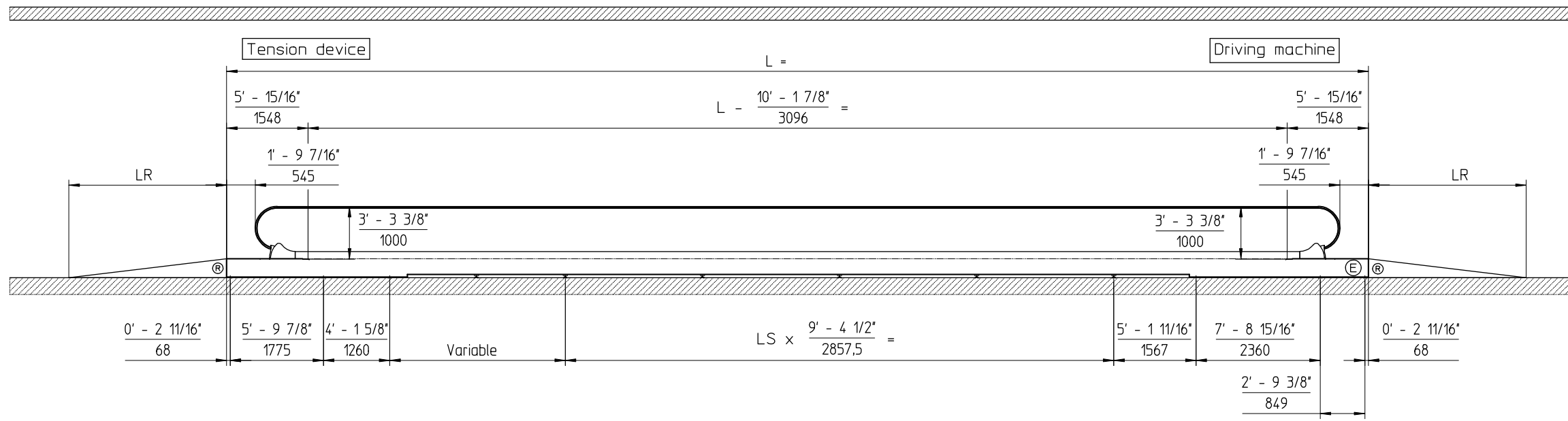
Intermediate Support

Support - Pit

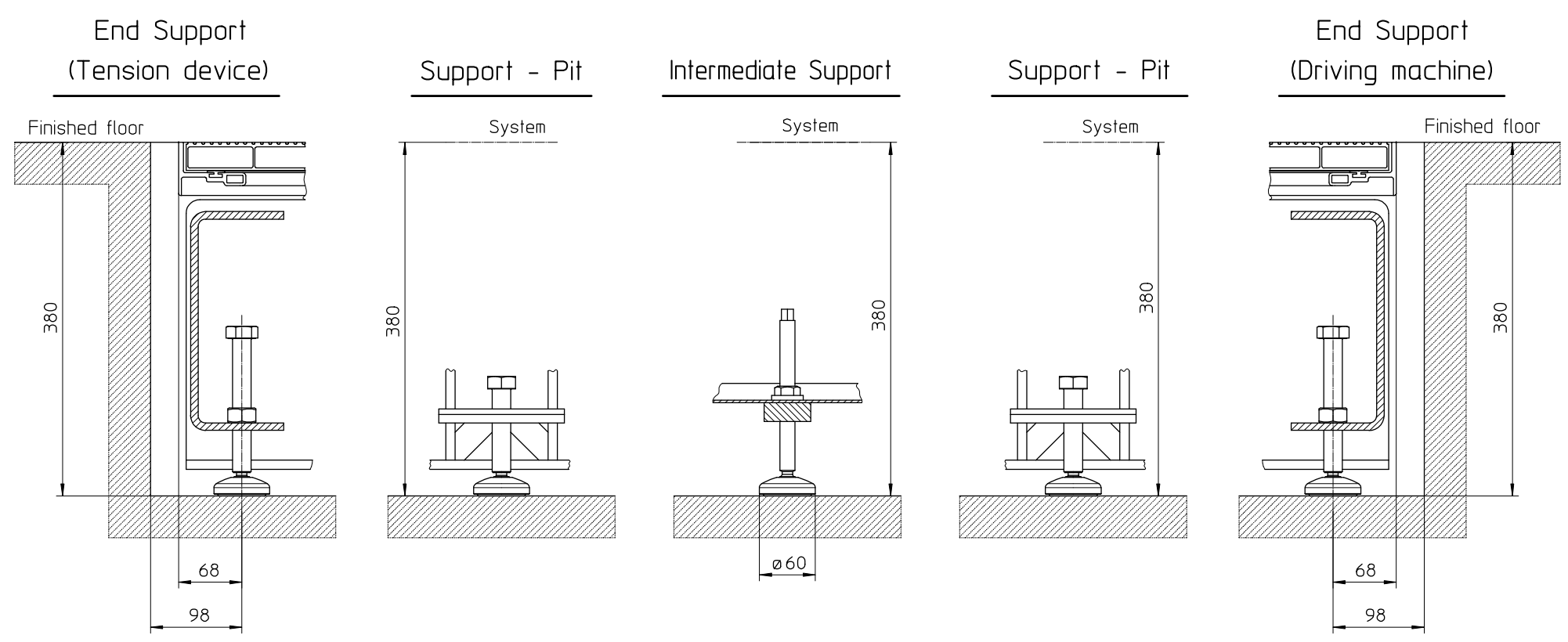
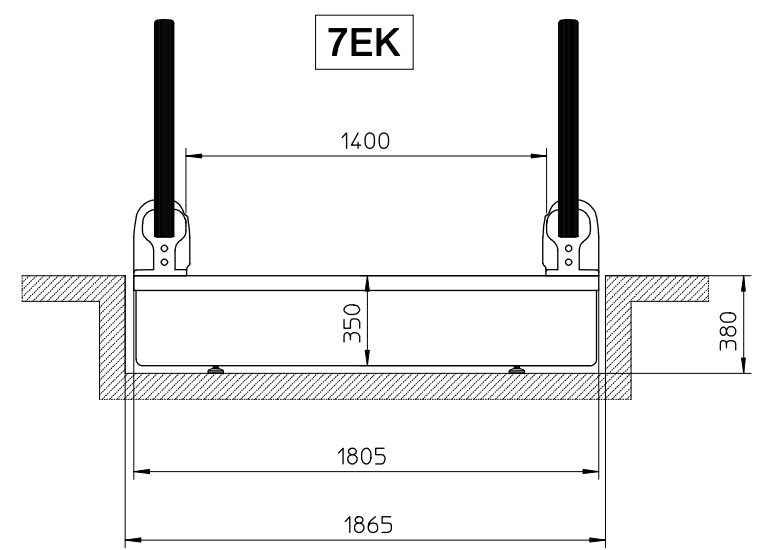
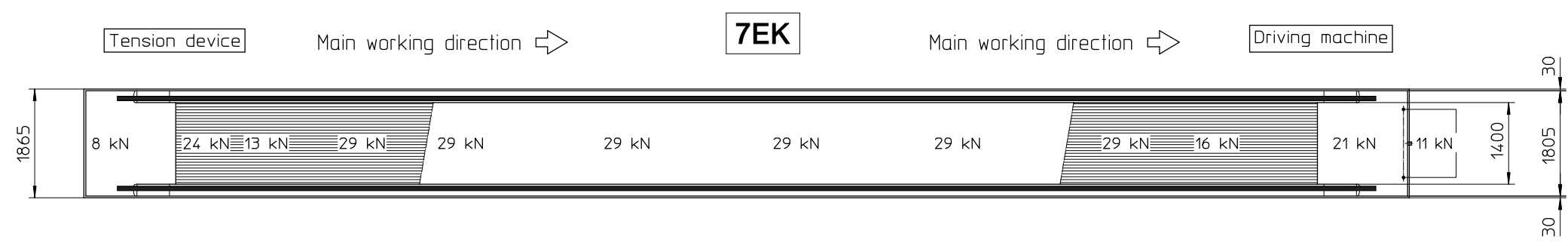
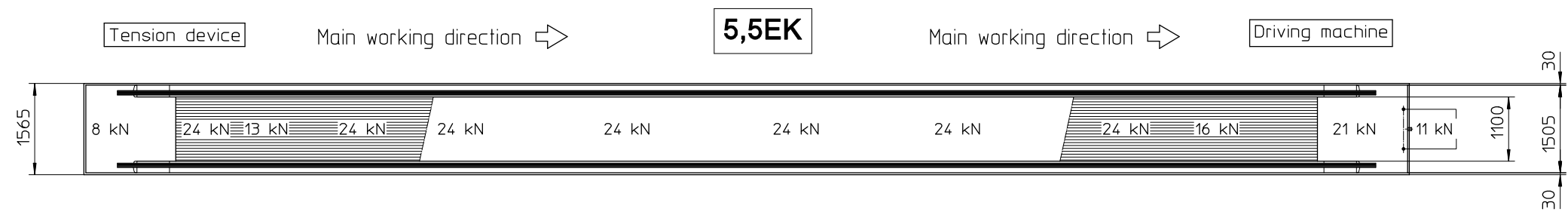
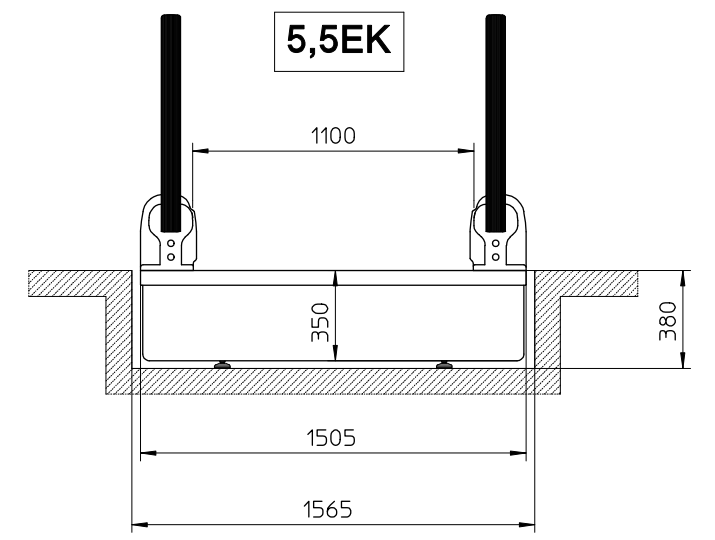
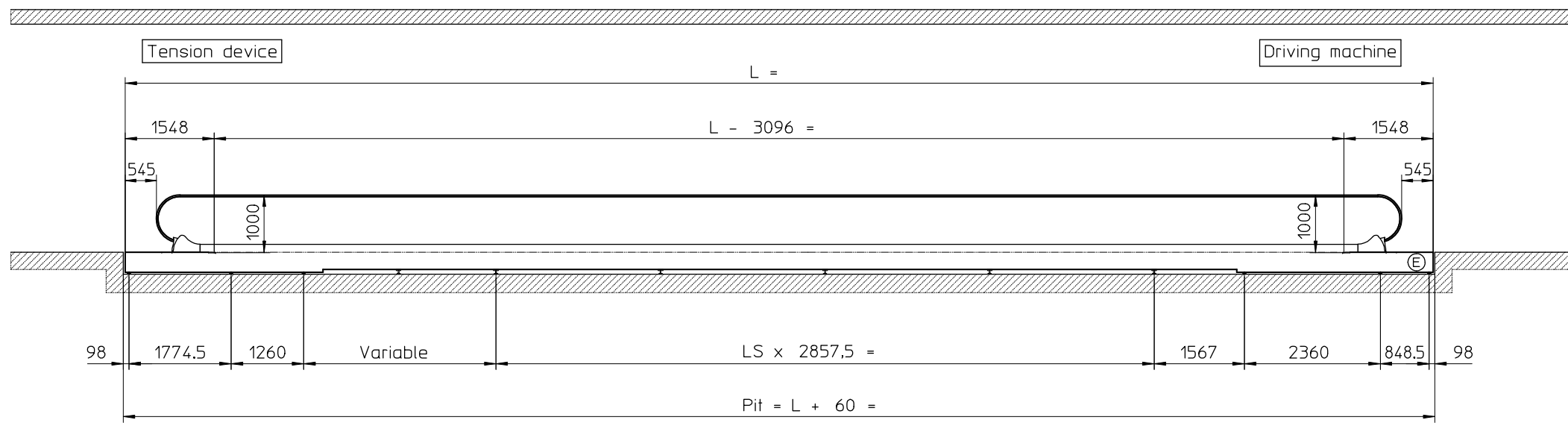
End Support
(Driving machine)



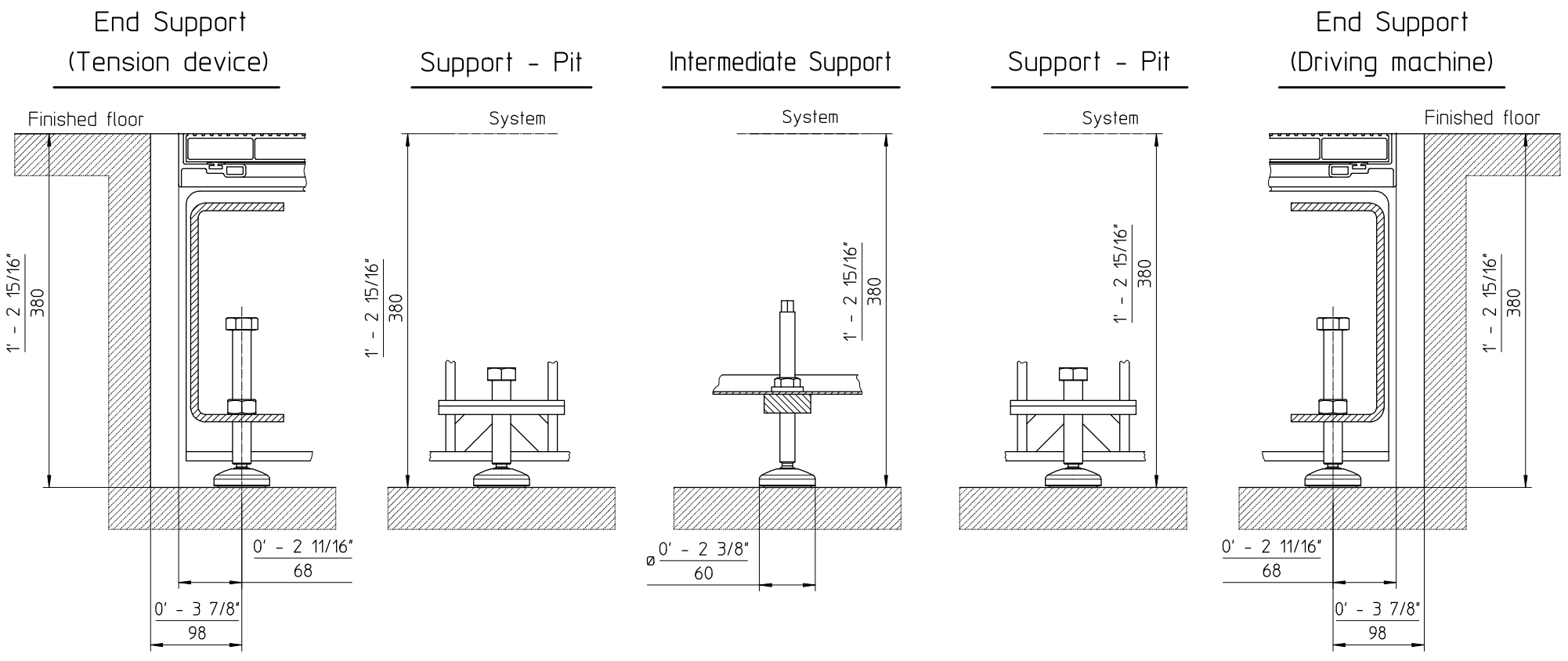
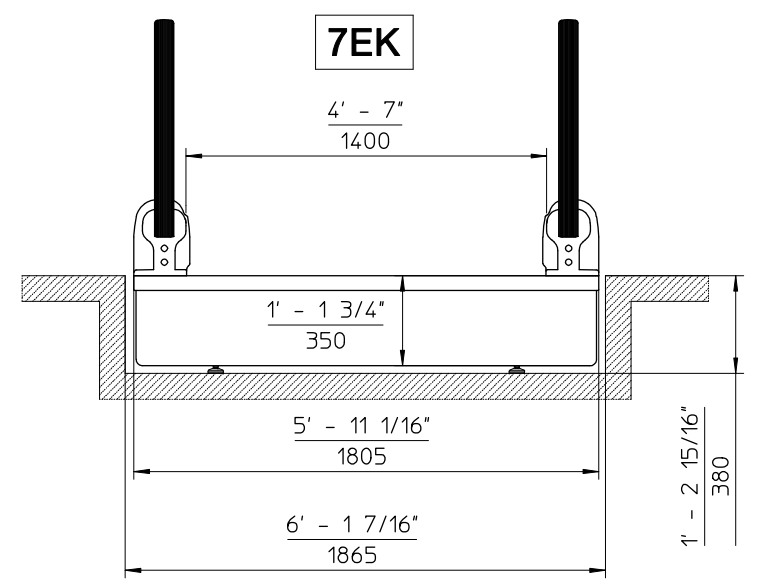
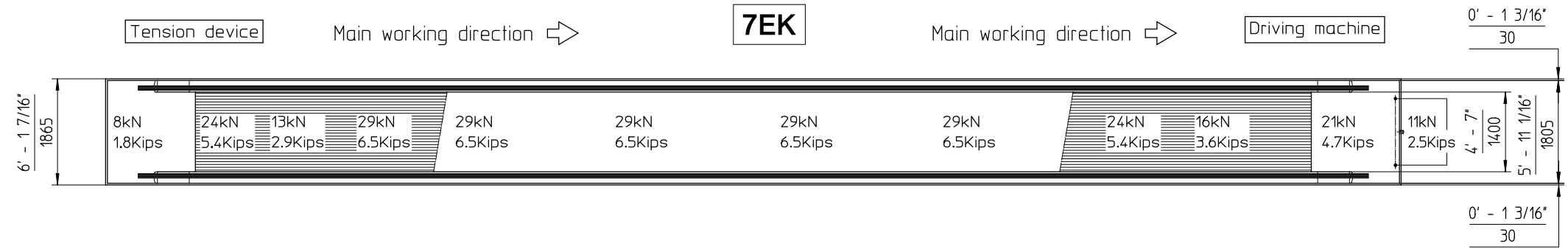
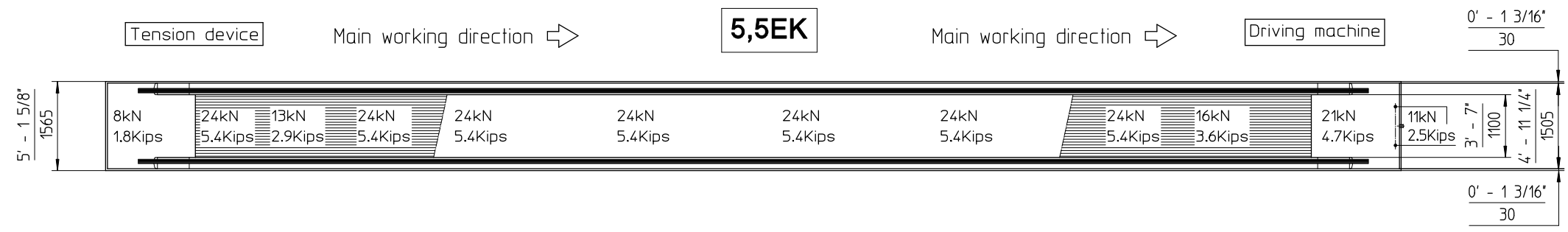
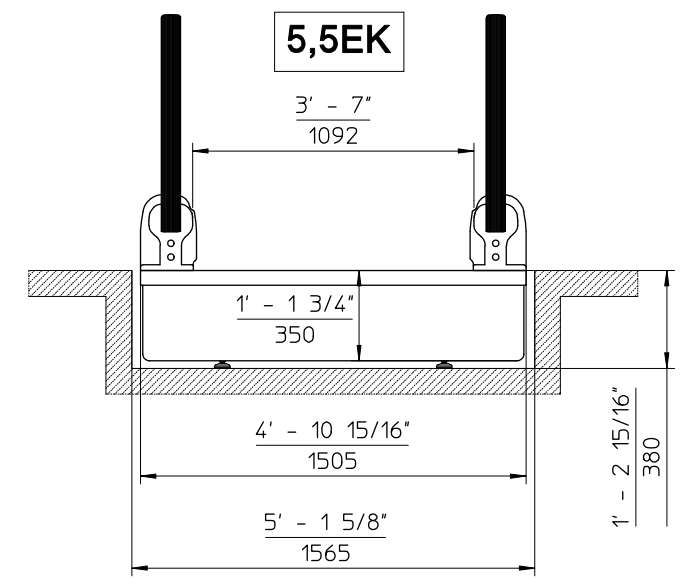
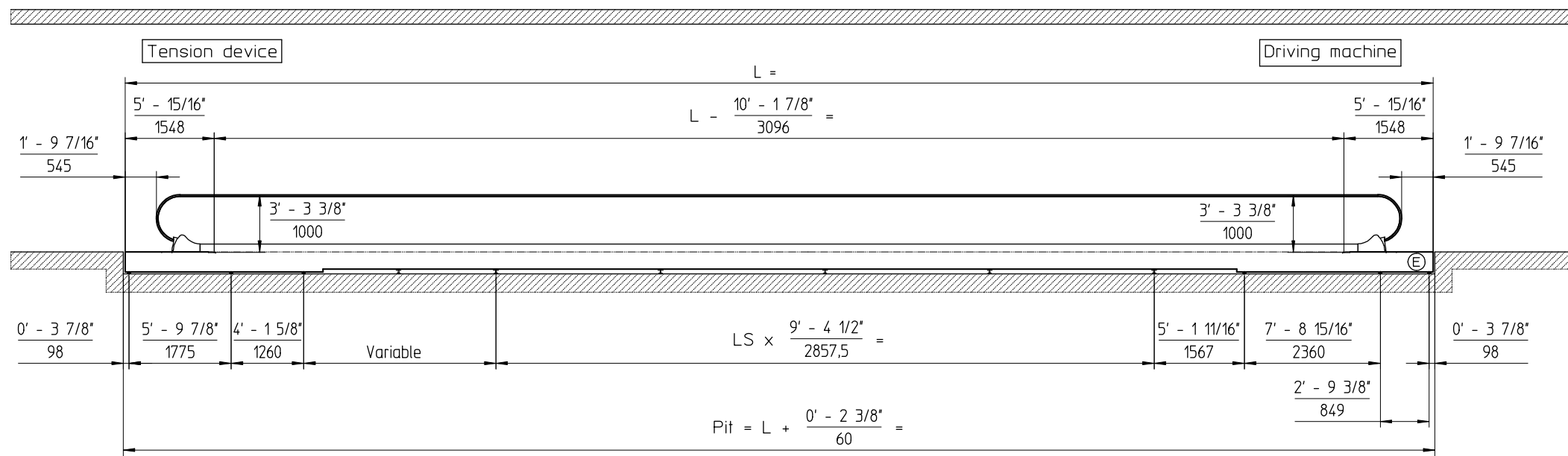
Vers.	Description	Date	Name
Created	19/05/16	PGOMEZR	iwalk Slim - Without Pit
Approved	12/07/16	CGARCIA	
			TKN-0345 - 00



Vers.	Description	Date	Name
Created	19/05/16	PGOMEZR	iwalk Slim - Without Pit
Approved	12/07/16	CGARCIA	
			TKN-0344 - 00



Vers.	Descripción	Fecha	Nombre
Dibujado:	19/05/16	PGOMEZR	iwalk Slim - With Pit
Aprobado:	12/07/16	CGARCIA	
thyssenkrupp			TKN-0343 - 00



Vers.	Descripción	Fecha	Nombre
Dibujado:	18/05/16	PGOMEZR	iwalk Slim - With Pit
Aprobado:	12/07/16	CGARCIA	
			TKN-0342 - 00